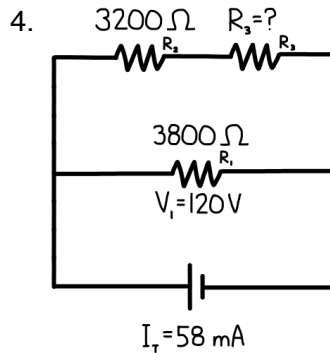
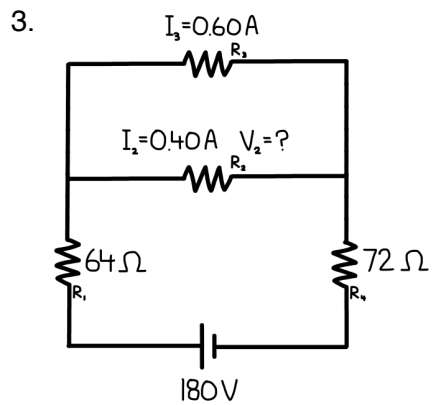
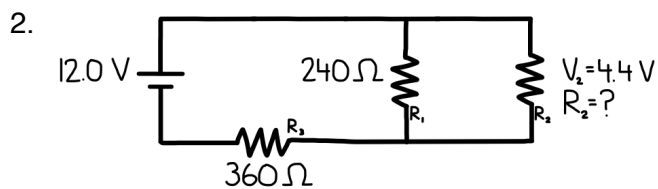
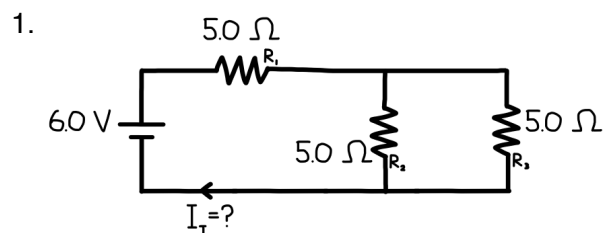


Combination Circuits

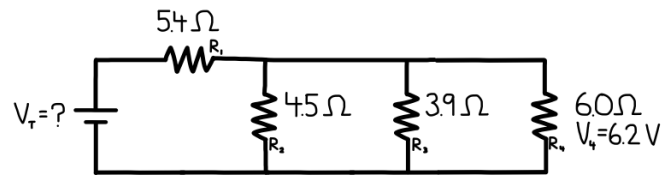
Name:

Block:

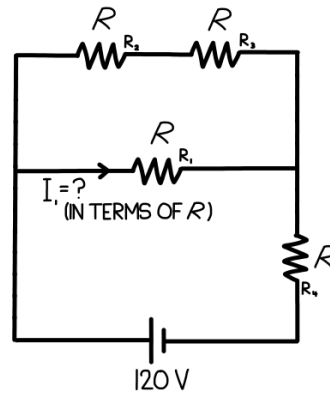
For each circuit, determine unknown quantity indicated on the diagram.



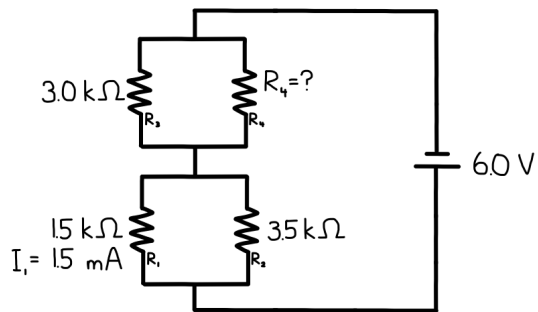
5.



6.



7.



8.

