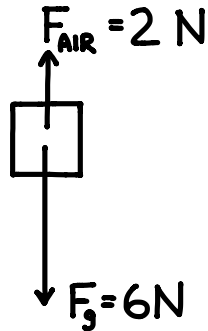


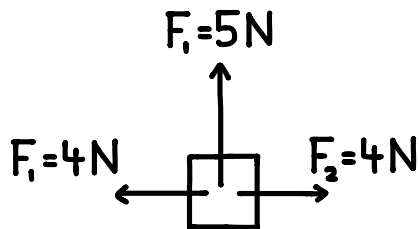
# NET FORCE - SOLUTIONS

1. a)



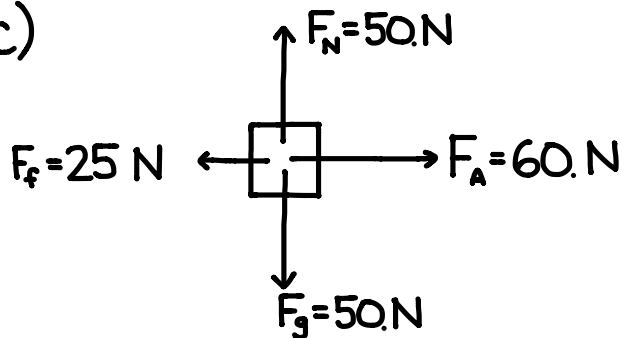
$$F_{\text{NET}} = 4 \text{ N DOWN}$$

b)



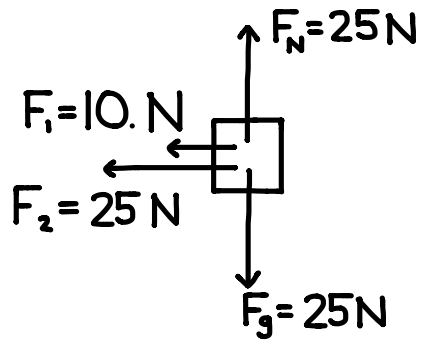
$$F_{\text{NET}} = 5 \text{ N UP}$$

c)



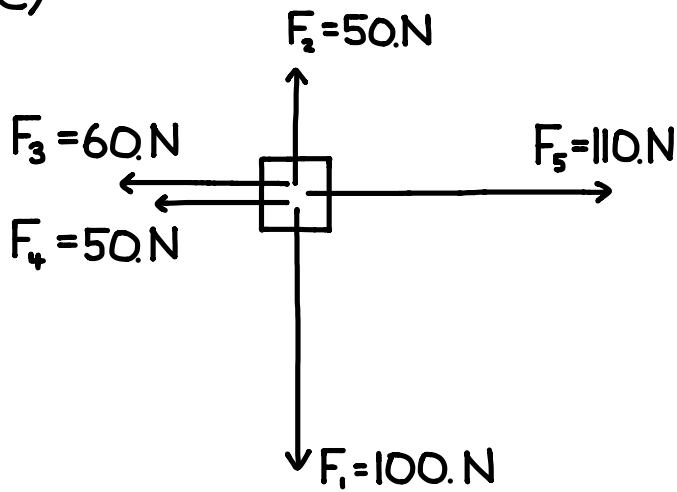
$$F_{\text{NET}} = 35 \text{ N RIGHT}$$

d)



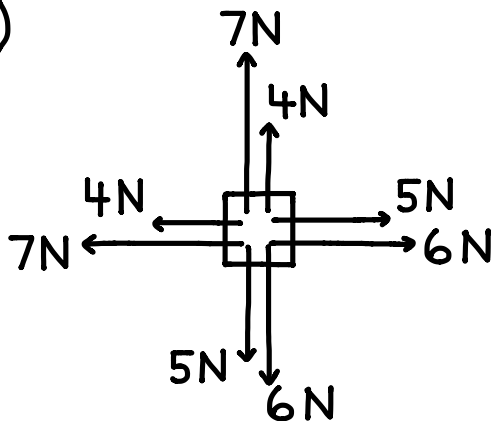
$$F_{\text{NET}} = 35\text{ N LEFT}$$

e)



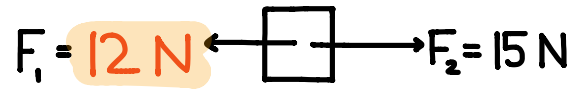
$$F_{\text{NET}} = 50\text{ N DOWN}$$

f)

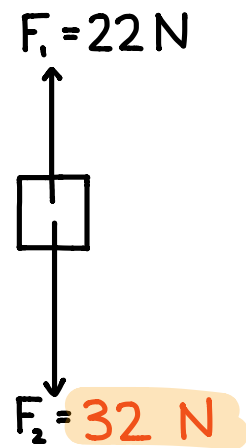


$$F_{\text{NET}} = 0$$

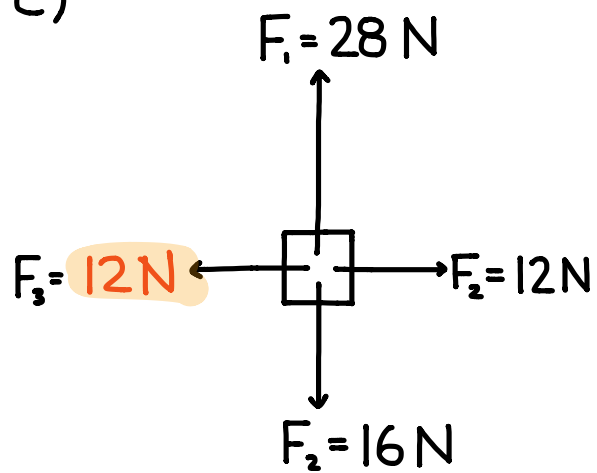
2. a)



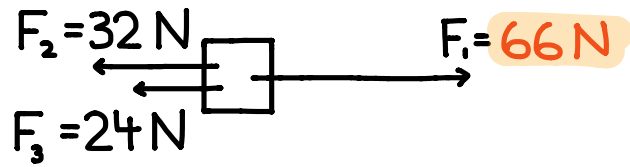
b)



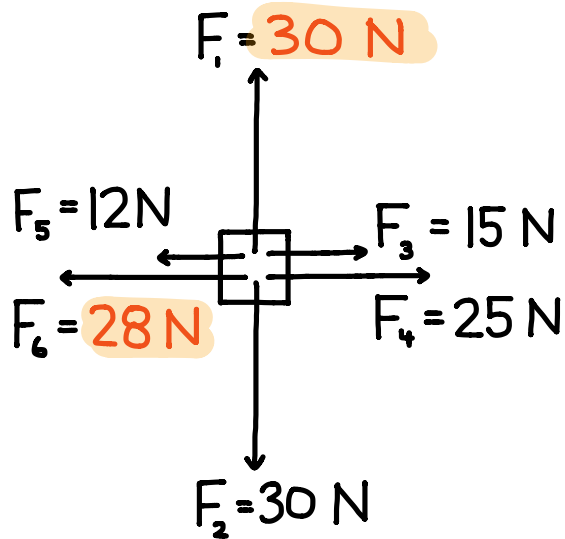
c)



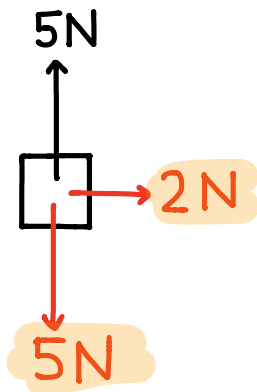
d)



e)



f)



OTHER POSSIBLE SOLUTIONS