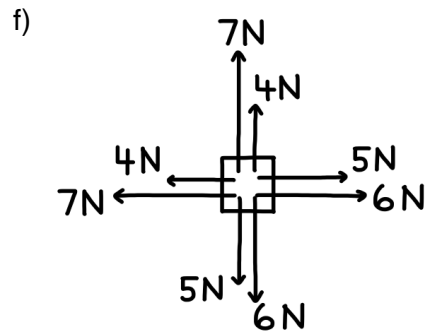
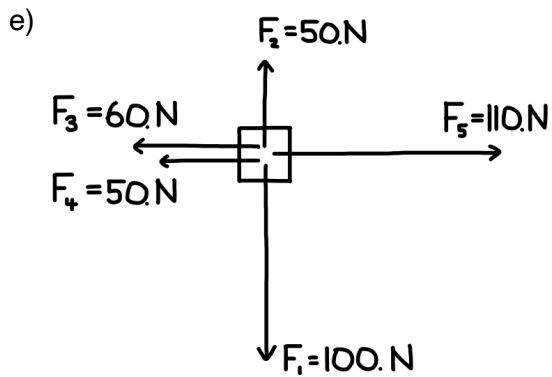
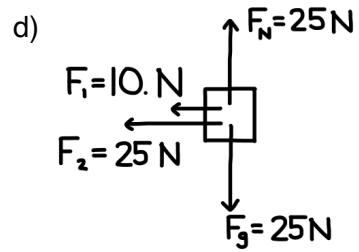
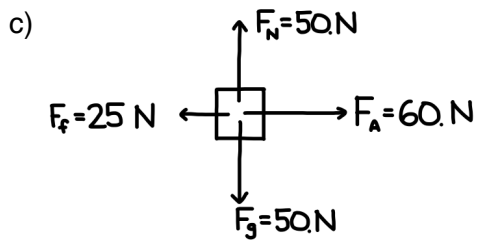
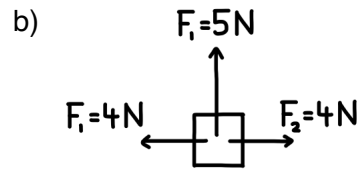
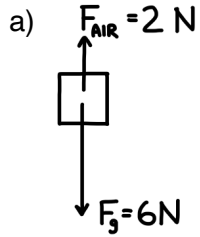


Net Force

Name:

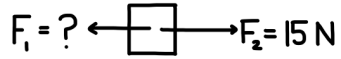
Block:

1. Determine the net force. Be sure to indicate both the magnitude and direction.



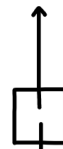
2. Determine the unknown force.

a)  $F_{\text{net}} = 3 \text{ N Right}$



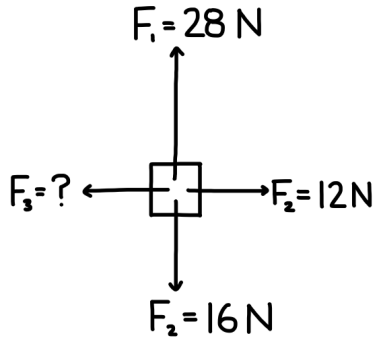
b)  $F_{\text{net}} = 10. \text{ N Down}$

$F_1 = 22 \text{ N}$

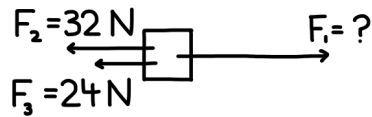


$F_2 = ?$

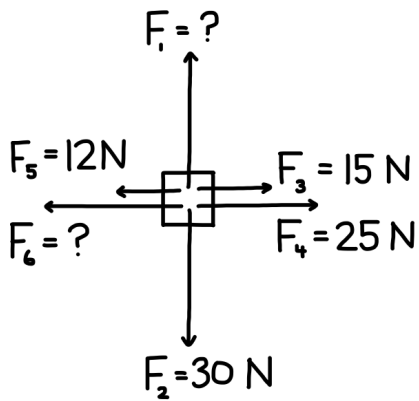
c)  $F_{\text{net}} = 12 \text{ N Up}$



d)  $F_{\text{net}} = 10. \text{ N Right}$



e)  $F_{\text{net}} = 0$



f)  $F_{\text{net}} = 2 \text{ N Right}$

(add vectors as needed)

